

Time : 6 Hrs.

D1G
W/S (Pr.)

Full Marks : 80

Pass Marks : 32

1. Each question carries equal marks.
iR; d i/u dk eku cjkj gA
2. Examiners will allot **any one** job from the undermentioned jobs to the examinee / group of examinees by lottery to prepare the job according to the question.
ijh{k d fuEukfdr tklt ea l s fdl h , d tklt dk vkod/u ijh{k{kFkhz@ijh{k{kFkz ka ds l eg dks YkkWjh }kjk djks, oa i/u&i = ds vuq kj tklt dks r\$ kj djus dk funz k nA
3. Marks are to be distributed (to the best possible) in the following orders :
v dks dk forj . k ¼; Fkk l kko½ fuEu çdkj fd; k tk; %
- | | <u>Intrn.</u> | <u>Extn.</u> |
|--|---------------|--------------|
| | <u>Comm.</u> | <u>Comm.</u> |
| (a) Practical exercise book
oxlea fd; s x; s tklt dk; l dh i qLrdk | 10 | 10 |
| (b) Methodology of job preparation
tklt r\$ kj djus dh fof/k&fooj . k | 20 | 30 |
| (c) Viva voce
ekf[kd ç'u | 10 | |

1. Prepare a suitable pulse mixer with a handle 400 mm long from the given wood pieces in your carpentry shop.

vi uh dk"B dk; Zkkyk ea 400 feiehñ gM y okyh , d nky?kk/uh nh x; h ydMh ds VpMka l sr\$ kj djA

2. Prepare a Male-Female joint as in figure-1.

fp= l E&1 ds vuq kj esy&fQesy tkM+r\$ kj djA

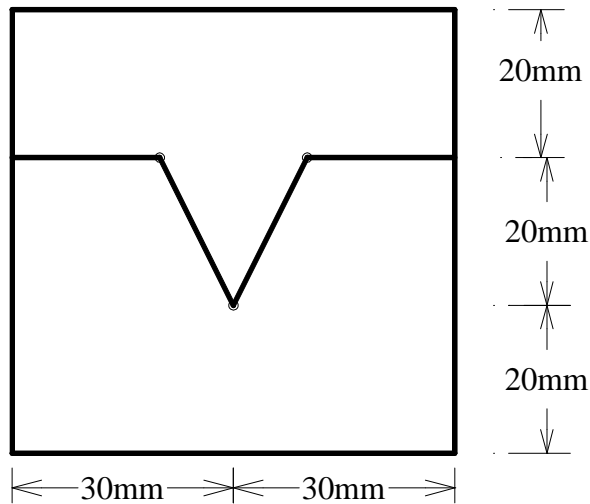


Fig. -1

3. Prepare a Ring having mean dia 50 mm from a 8 mm M.S. Rod Piece in your Blacksmithy shop.

vi uh yk\$ dk; Zkkyk ea 8 fe-eh- 0; kl ds enq bL ikr NM+ l s 50 fe-eh- ekè; 0; kl dk fja r\$ kj djA

4. Prepare a job as in fig. 2 in your welding shop.

fp= l E&2 ds vuq kj vi uh ofYM/x dk; Zkkyk ea , d tkt r\$ kj djA

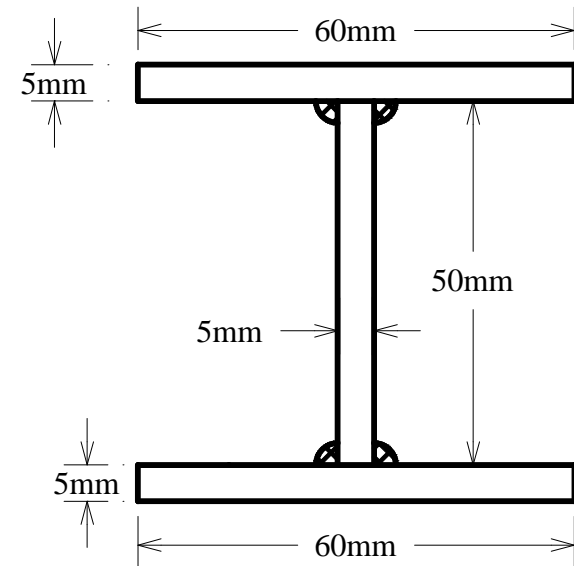


Fig. -2

5. Prepare a 200 mm x 200 mm x 20 mm metal sheet tray
in your sheet metal shop.

vi uh BBjh dk; Zkkyk ea200 fe-eh x 200 fe-eh x 20 fe-eh eki

dh ,d V\$ r\$ kj djA

